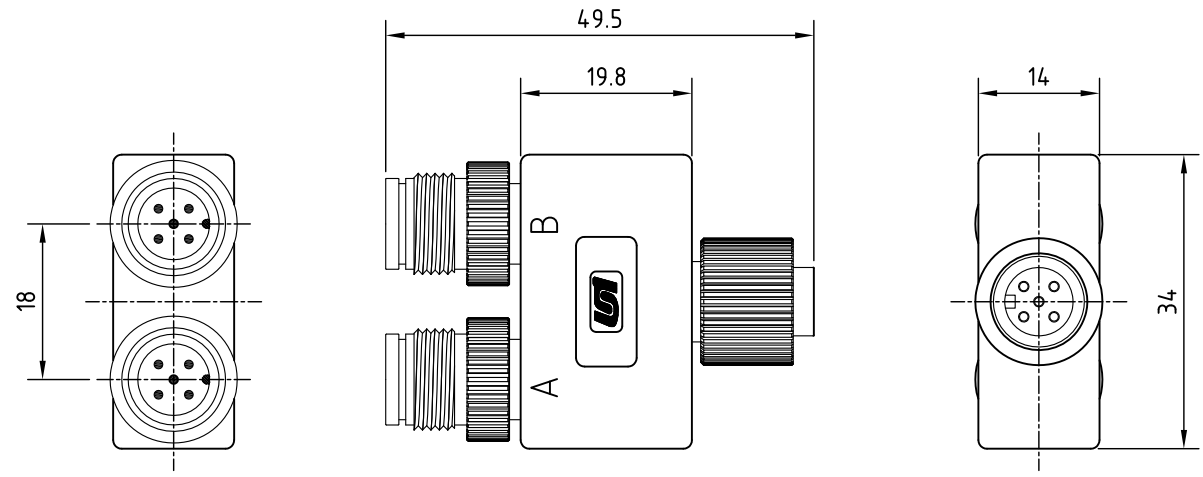


REV.	Description	Date
1	add 12P arrangement	2012/1/2
2	upgrade drawing	2016/10/7



Specification of connector

General Characteristics

- Locking system : screw M12
- Shell protection : IP68
- Contact resistance : $\leq 10\text{m}\Omega$
- Insulation resistance : $>10\text{M}\Omega$

Materials

- Pin contact : brass
- Contact plating : gold
- Male insert : PA
- Female insert : PA
- Ring nut : PA
- O-ring : rubber

RoHS

TOLERANCE $X \pm 0.5$ $.X \pm 0.3$

CONTACT ARRANGEMENT FRONT VIEW (MALE)								
	2P	3P	4P	5P	6P	7P	8P	12P
CONTACT ARRANGEMENT FRONT VIEW (FEMALE)								
	2P	3P	4P	5P	6P	7P	8P	12P
Rated voltage	250V				125V			60V
Rated current	5A				2A			1A



Unicable Co., Ltd. 國陽電業有限公司

5F., No. 111-33, Sec. 4, San Ho Road, San Chung City, Taiwan, R.O.C.
<http://www.unicable.com.tw> TEL:+886-2-2286-2122 FAX:+886-2-2286-1010

DATE	2016/10/7	PART NO.	UT-D2301-4-XP
DWN	GINA	REV.	2
CHK			
ITEM	M12 Adaptor	UNIT	MM